

### Wireless Telemetry Base Stations

#### Features



- USB Interface
- DLL (Dynamic Link Library) files for software developers
- RS232 and RS485 Interfaces (T24-BSi Only)
- Variable Baud Rates (T24-BSi Only)
- Cased or Din Rail mounting options (T24-BSi Only)
- 1 year manufacturer's warranty



#### Introduction

The T24 radio telemetry range is currently supported by two base stations; the T24-BSu and the T24-BSi, which in conjunction with the T24-tool kit can be used to configure all the devices within the range. Devices can listen for and transmit data packages to any device therefore making control and group measurement very simple.

#### T24-BSi

The T24-BSi is the industrial base station, housed in an IP65 standard enclosure. This device offers far more interface options for a user. The T24-BSi can be powered and controlled using a single USB interface; however the T24-BSi also has serial RS232 and RS485 interfaces at baud rates of 9600-460800. When using either of the serial interfaces the device must be powered externally. The serial interface .dll (Dynamic Link Library) provides the ability for customised user software to be created with the use of VB (Visual Basic) over any interface the user wishes to select.

#### T24-BSu

The T24-BSu is a simple USB device. It draws power from the USB bus and therefore no further components are required to configure and control remote devices from a PC. The T24-BSu is supported by not only the T24-toolkit but also with a .dll (Dynamic Link Library) allowing customers using VB (Visual Basic) to develop their own custom software for their applications.

#### Specifications - T24-BSi

Parameter	Min	Typ	Max	Units	Notes
External Supply voltage Range	4.5	12	32	Volts	
USB Supply Range	4.875	5	5.125	Volts	As defined by USB 2.0 Specification
Average Operational Current	-	TBD	500	mA	
USB Bus Powered Operational Current	100		200		
Operating Temperature Range	-40	-	65	Deg C	
Storage Temperature Range	-40	-	65	Deg C	
Reverse polarity Protection		-	-32	Volts	Maximum Supply level

#### Specifications - T24-BSu

Parameter	Min	Typ	Max	Units	Notes
USB Supply Range	4.875	5	5.125	Volts	As defined by USB 2.0 Specification
USB Bus Powered Operational Current	100		200		
Operating Temperature Range	-40	-	65	Deg C	
Storage Temperature Range	-40	-	65	Deg C	

Environmental	Min	Typical	Max	Units
IP rating (T24-BSi serial only)		IP65		
Operating temperature range	-10		+50	C
Storage temperature	-40		+85	C
Humidity	0		95	%RH

### Product Order Codes

T24-ACM	Wireless Radio Telemetry Acquisition Enclosure	T24-HR	Wireless Radio Telemetry Handheld Display Unlimited Inputs
T24-ACMi	Wireless Radio Telemetry Acquisition Enclosure	T24-HS	Wireless Radio Telemetry Handheld Display Single Inputs
T24-ANTA	Wireless Radio Telemetry Antenna	T24-IA	Wireless Radio Telemetry Current (4-20mA) Acquisition Module
T24-ANTB	Wireless Radio Telemetry Antenna	T24-PR1	Wireless Radio Telemetry Printer
T24-ANTC	Wireless Radio Telemetry Antenna	T24-RM1	Wireless Radio Telemetry Data to Relay output
T24-AO1	Wireless Radio Telemetry Desktop Analogue Output Module	T24-SA	Wireless Radio Telemetry Strain Gauge /Load Cell Acquisition Module
T24-AO1i	Wireless Radio Telemetry Industrial Analogue Output Module	T24-SAf	Wireless Radio Telemetry 2KHz Strain Gauge Acquisition Module
T24-BC1	Battery Charger for T24 Acquisition Modules	T24-SO	Wireless Radio Telemetry Printer and Display Driver
T24-BSi	Wireless Radio Telemetry Industrial Base Station	T24-TK	Wireless Radio Telemetry Toolkit Software
T24-BSu	Wireless Radio Telemetry Base Station USB	T24-VA	Wireless Radio Telemetry Voltage (0-10V) Acquisition Module
T24-DPV	Wireless Radio Telemetry T24 Data Provider Viewer and Logger		
T24-HA	Wireless Radio Telemetry Handheld Display Multiple Inputs		

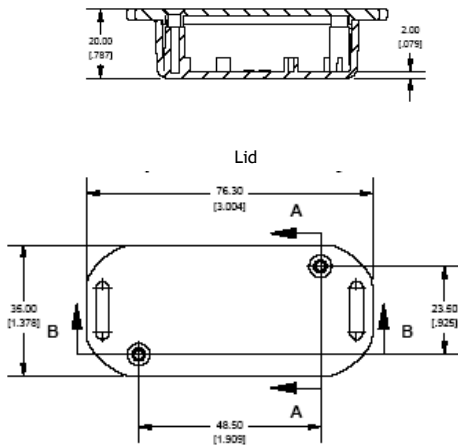
For more up to date information visit our website  
[www.mantracourt.co.uk/products/wireless-telemetry](http://www.mantracourt.co.uk/products/wireless-telemetry)

### Mechanical Dimensions

#### T24-BSu USB Base Station

Case dimensions 20 x 35 x 60mm  
Case materials Black ABS IP54. Flanged lid for wall or shelf mounting or suspending with a tie wrap

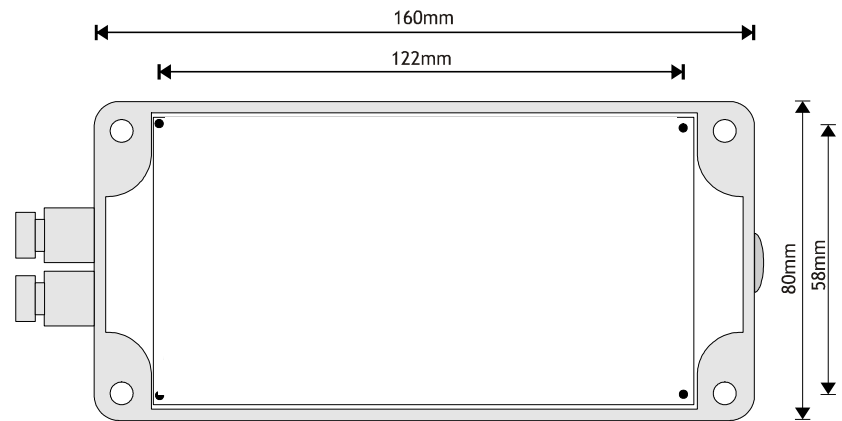
Side view



Depth inc lid 20mm (0.79")  
Width 35mm (1.38")  
Length not inc flange 60mm (2.36")

#### T24-BSi Industrial Base Station

Case dimensions 160 x 80 x 55mm  
Case materials Light grey ABS with IP65 cable glands  
Terminals 2.5mm, rising clamp field terminals  
Accessibility All electronics accessible by removing lid  
Power Supply From 'on-board' batteries (2 x D size cells Alkaline) please note these batteries are not included



Depth 55mm  
2 x IP65 Gland for cable size 4.5 to 7mm

### Approvals

**CE**, Complies with EMC directive. 2004/108/EC  
The Radio Equipment and Telecommunications Terminal Equipment (R&TTE) Directive, 1999/5/EC.



Industry  
Canada

Industrie  
Canada



Designed, Manufactured  
& Supported in the UK

In the interests of continued product development, Mantracourt Electronics Limited reserves the right to alter product specifications without prior notice.