



Description

The T24 radio telemetry range is currently supported by two base stations; the T24-BSu and the T24-BSi, which in conjunction with the T24-tool kit can be used to configure all the devices within the range. Devices can listen for and transmit data packages to any device therefore making control and group measurement very simple.

T24-BSi

The T24-BSi is the industrial base station, housed in an IP65 standard enclosure. This device offers far more interface options for a user. The T24-BSi can be powered and controlled using a single USB interface; however the T24-BSi also has serial RS232 and RS485 interfaces at baud rates of 9600-460800. When using either of the serial interfaces the device must be powered externally. The serial interface .dll (Dynamic Link Library) provides the ability for customised user software to be created with the use of VB (Visual Basic) over any interface the user wishes to select.

T24-BSu

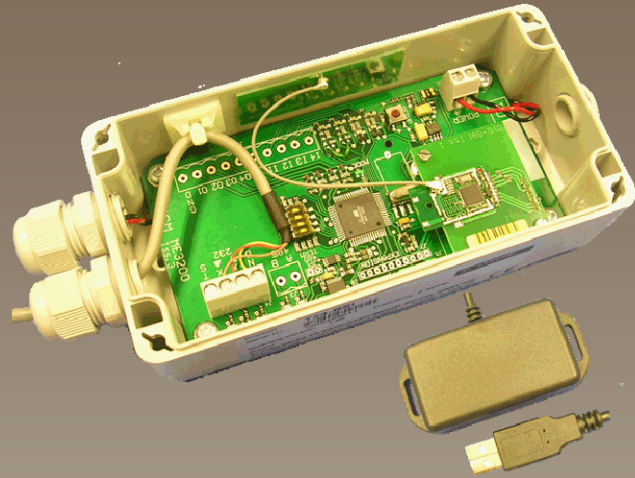
The T24-BSu is a simple USB device. It draws power from the USB bus and therefore no further components are required to configure and control remote devices from a PC. The T24-BSu is supported by not only the T24-toolkit but also with a .dll (Dynamic Link Library) allowing customers using VB (Visual Basic) to develop their own custom software for their applications.

The telemetry toolkit software is supplied on CD, free of charge when a base station of either type is ordered. This enables the full configuration and calibration of any of the current T24 wireless telemetry range of products.

Typical Applications

- PC based centre of gravity systems
- Vessel weighing systems
- Crane weighing systems
- Used to configure and calibrate T24 range of wireless telemetry devices

T24-BSi & T24-BSu Wireless Telemetry Base Stations



Features

T24-BSi

- RS232 and RS485 Interface
- Housed in IP65 enclosure
- Baud rates 9600-460800 baud
- Dynamic Link Library Files available

T24-BSu

- USB Interface
- Self powering from USB port
- Variable baud rates
- Dynamic Link Library Files available

TYPE: T24-BSi & T24-BSu

www.lcm systems.com

Wireless Telemetry Base Stations

Specifications – T24-BSi

Parameter	Min	Typ	Max	Units	Notes
External Supply voltage Range	4.5	12	32	Volts	
USB Supply Range	4.875	5	5.125	Volts	As defined by USB 2.0 Specification
Average Operational Current	-	TBD	500	mA	
USB Bus Powered Operational Current	100		200	mA	
Operating Temperature Range	-40	-	+65	°C	
Storage Temperature Range	-40	-	+65	°C	
Reverse polarity Protection	-	-	32	Volts	Maximum Supply level

Specifications – T24-BSu

Parameter	Min	Typ	Max	Units	Notes
USB Supply Range	4.875	5	5.125	Volts	As defined by USB 2.0 Specification
USB Bus Powered Operational Current	100		200	mA	
Operating Temperature Range	-40	-	+65	°C	
Storage Temperature Range	-40	-	+65	°C	

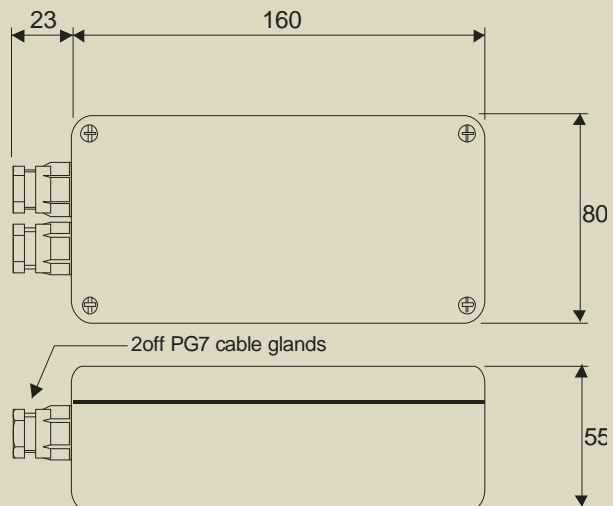
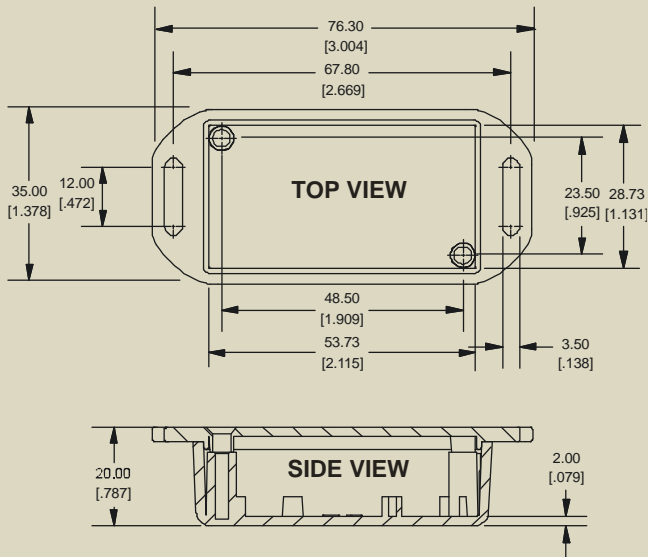
Environmental	Min	Typ	Max	Units
IP rating (T24-BSu serial only)	-	IP65	-	
Operating temperature range	-10		+50	°C
Storage temperature	-40		+85	°C
Humidity	0		95	%RH

Product Order Codes

T24-SAi	Strain gauge acquisition module internal antenna	T24-HS	Handheld Reader – simple version
T24-SAe	Strain gauge acquisition module external antenna	T24-HA	Handheld Reader – Advanced version
T24-VAi	Voltage acquisition module internal antenna	T24-BSu	Base Station - USB
T24-VAe	Voltage acquisition module external antenna	T24-BSi	Base Station – Industrial
T24-IAi	Current acquisition module internal antenna	T24-SO	Serial Output Module
T24-IAe	Current acquisition module external antenna	T24-BC1	Battery Charger/Voltage Regulator
T24-SAfi	“Fast” strain gauge acquisition module internal antenna	T24-ACM	Single Channel Acquisition Docking Module
T24-SAfe	“Fast” strain gauge acquisition module external antenna	T24-PR1	Thermal Printer

T24-BSu
Case materials Black ABS IP54. Flanged lid for wall or shelf mounting or suspending with a tie wrap

T24-BSi
Case material Light grey ABS with IP65 cable glands



Due to continual product development, LCM Systems Ltd. reserves the right to alter product specifications without prior notice.

Issue Date: 6/4/2009

Unit 15, Newport Business Park
 Barry Way, Newport, Isle of Wight, PO30 5GY
 United Kingdom
 Tel: +44 (0) 1983 249264
 Fax: +44 (0) 1983 249266
 Email: sales@lcmssystems.com



TYPE: T24-BSi & T24-BSu

www.lcmssystems.com