

Description

The TELSHACK-B range of telemetry shackles are manufactured using the Crosby G2130 (12-25tonne) and G2140 (40-400tonne). Versions are also available using the popular GreenPin™ range of shackles. The built in radio telemetry electronics operates on the 2.4GHz license free frequency.

The telemetry housing is manufactured from stainless steel, offering a robust solution. Located in the housing are two AAA NiMH batteries, which can be accessed by removing the telemetry housing cover. No tools are required, making it easy to do on site. The batteries can be recharged using the universal charger supplied. In emergencies (when you do not have time to re-charge the batteries), standard alkaline batteries can also be used.

There is an external sealed aerial, which can be rotated to offer the best signal polarity and hence the best transmission range, making it more versatile for different applications.

The TELSHACK-B is supplied as standard with a handheld battery powered display, or alternatively, for multi-shackle applications, a single display can address up to 12 shackles for individual monitoring, or for summation/balancing applications.

LCM Systems can also supply more complex telemetry systems. For further information on what we can offer, please contact our Technical Department, with details of your application requirements.

Typical Applications

- Under-hook Hoist/Crane Weighing
- Cable Tension Mounting
- Towing/Mooring Tension
- Beam Proof loading

TELSHACK-B Wireless Telemetry Bow Shackle Load Cell



Features

- Ranges 12tonne to 400tonne
- 2.4GHz License Free Frequency
- High Tensile Carbon Steel Construction
- Environmentally Sealed to IP67
- Simple installation and operation
- Continuous use battery life of 200 hours. (batteries are built-in & rechargeable)
- Shackle and load pin fully certified
- Transmission range of up to 120 metres clear line of sight
- Many other telemetry configurations available.

Wireless Telemetry Bow Shackle Load Cell

Specification (Shackle)

Rated Load (tonne):	12, 17, 25, 40, 55, 85, 120, 200, 300, 400
Proof Load:	150% of Rated Load
Ultimate Breaking Load:	300% of Rated Load
Non-Linearity:	< ±1.0% of Rated Load (typically)
Non-Repeatability:	< ±0.10% of Rated Load
Transmission Distance:	Up to 120 metres (clear line of sight)
Battery Life:	200 hours maximum (continuous use)
Battery:	Internal rechargeable NiMH
Battery Charging:	Batteries can be removed from case for recharging
Operating Temperature Range:	-20 to +60°C
Environmental Protection Level:	IP67
Options Available:	Special ranges available Centralising Bobbin Greenpin™ shackle version (<i>see separate datasheet</i>) Special telemetry systems available

Specification (for options)

All specifications for options are as detailed for the standard shackle, unless otherwise stated

Special Ranges	The TELSHACK-B can be supplied in any range, between 12te and 400te and calibrated as required. Usually we will choose the nearest standard shackle size. We can also offer special design shackles up to 2000te. Consult our design team for more details.
Centralising Bobbin	We can offer an optional centralising bobbin. This can help improve the overall accuracy in certain cable tension applications. The bobbin is shown pictorially in the drawing below. For further information, please contact our design team.
Multi-Shackle Systems	It is possible with the standard handheld telemetry display to use to 12 shackles with a single handheld. Each shackle is paired with the handheld and can be used to view individual load cells or summated load cells. These values can be sent to a printer or a PC.



Handheld Display



Shackle and Telemetry

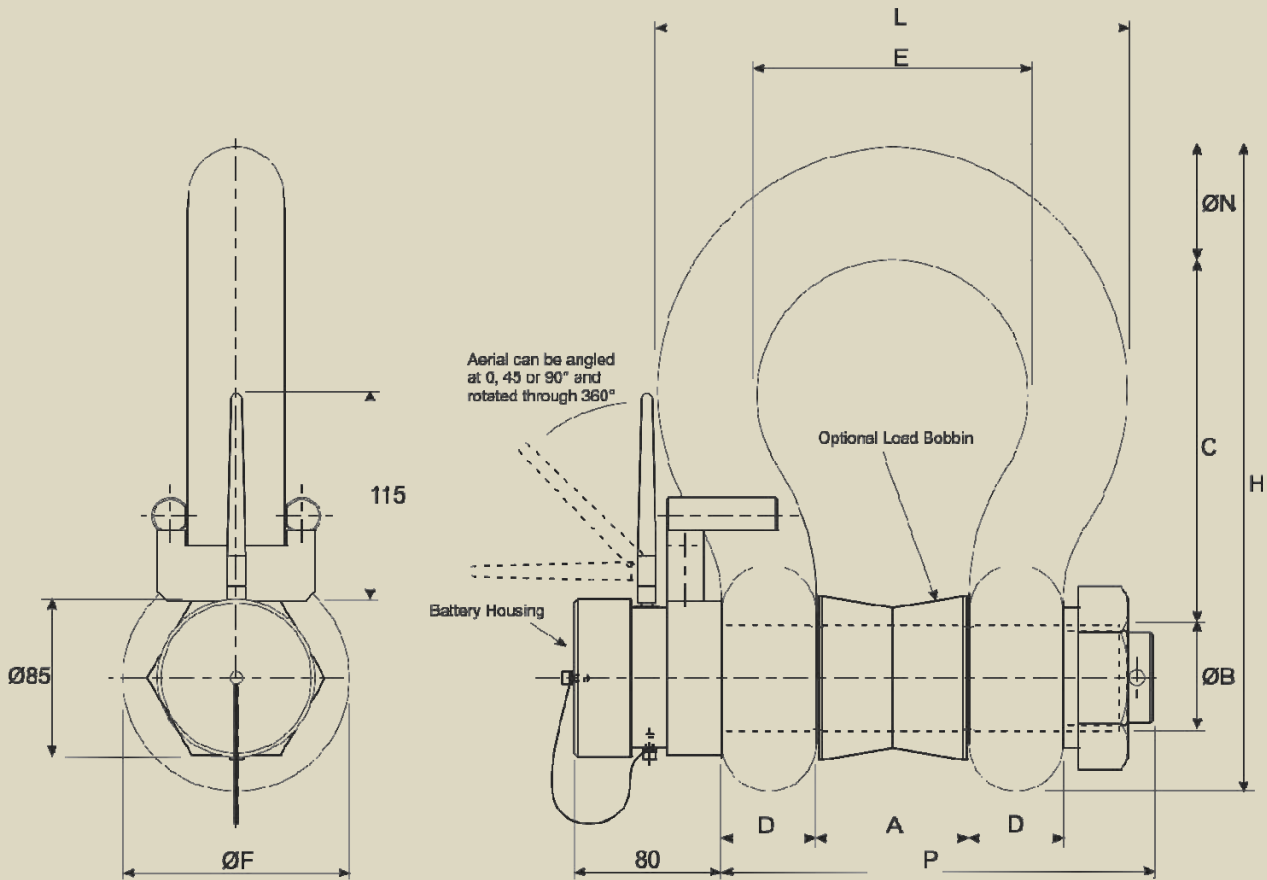
TYPE: TELSHACK-B

www.lcmsystems.com

Wireless Telemetry Bow Shackle Load Cell

Mechanical Dimensions

All dimensions in millimeters



Model	Range SWL (tonne)	A	ØB	C	ØD	ØE	ØF	H	L	ØN	Weight (kg)
TELSHACK-B-12	12	51.5	35.1	119	31.8	82.5	76.0	210	146	35.1	8
TELSHACK-B-17	17	60.5	41.4	146	38.1	98.5	92.0	254	175	41.1	12
TELSHACK-B-25	25	73.0	51.0	178	44.5	127	106	313	225	57.0	18
TELSHACK-B-40	40	73.0	51.0	178	44.5	127	106	313	225	57.0	18
TELSHACK-B-55	55	82.5	57.0	197	51.0	146	122	348	253	61.0	25
TELSHACK-B-85	85	105	70.0	267	66.5	184	145	453	327	79.0	45
TELSHACK-B-120	120	127	82.5	330	76.0	200	165	546	365	92.0	85
TELSHACK-B-150	150	133	95.5	372	95.5	229	203	625	419	105	125
TELSHACK-B-200	200	184	121	397	95.5	279	267	743	533	152	215
TELSHACK-B-300	300	213	152	495	121	330	305	895	635	172	364
TELSHACK-B-400	400	210	178	572	165	330	356	1022	660	184	520

Due to continual product development, LCM Systems Ltd. reserves the right to alter product specifications without prior notice.

Issue Date: 13/7/2010

Unit 15, Newport Business Park
 Barry Way, Newport, Isle of Wight, PO30 5GY
 United Kingdom
 Tel: +44 (0) 1983 249264
 Fax: +44 (0) 1983 249266
 Email: sales@lcmsystems.com



TYPE: TELSACK-B

www.lcmsystems.com