

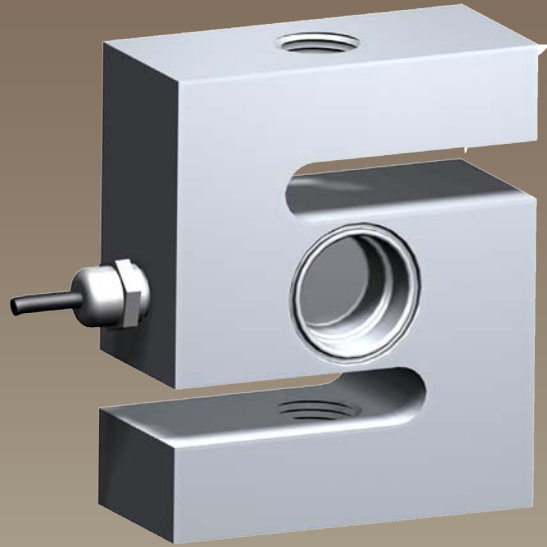
## Description

The STA-5 series load cell is ideal for measuring both tensile and compressive forces. The standard metric threads at each end of the load cell are designed to accept standard spherical seating rod-end bearing.

The STA-5 is suitable for many applications where a tension and compression load cell is required, for high accuracy measurements. Applications such as vessel weighing, material test machines and dynamometers are a few examples.

The STA-5 series can be supplied on its own or combined with our extensive range of instrumentation to provide a complete load monitoring system.

## STA-5 Tension/Compression Load Cell



## Features

- Ranges 500, 1000, 2000, 5000kg
- Stainless steel fully welded construction
- Environmentally sealed to IP68
- Can be supplied complete with mating spherical rod-end bearings

## Typical Applications

- Vessel weighing
- Hanging scales
- Engine/motor dynamometers
- Material/tensile test machines
- Process Weighing
- Multi point structural weighing

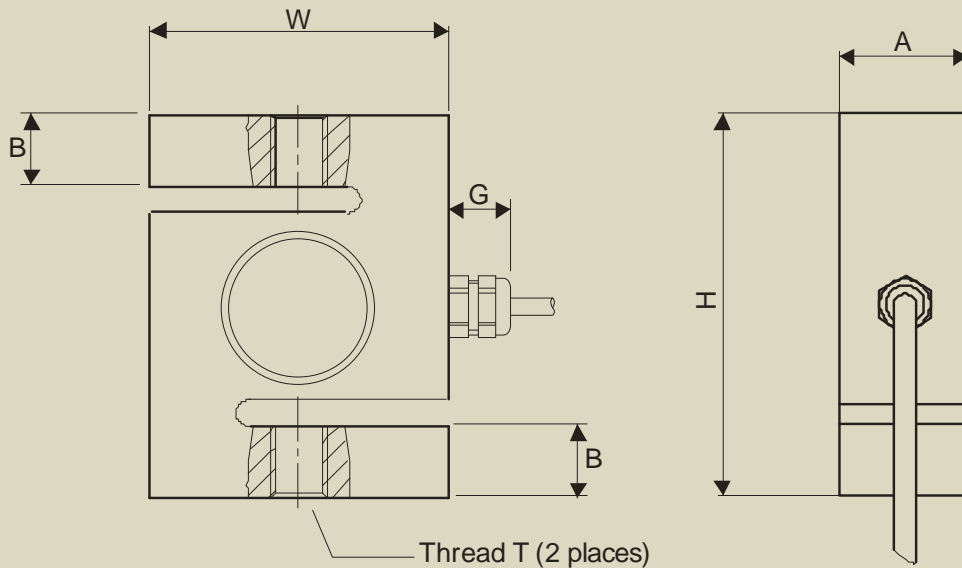
# Tension/Compression Load Cell

## Specification

Rated Load (kg):	500, 1000, 2000, 5000	
Proof Load:	150% of Rated Load	
Ultimate Breaking Load:	>300% of Rated Load	
Output:	2.0 mV/V at Rated Load ( $\pm 0.2\%$ )	
Accuracy:	$< \pm 0.02\%$ of Rated Load	
Non-Repeatability:	$< \pm 0.01\%$ of Rated Load	
Excitation Voltage:	10vdc recommended, 15vdc maximum	
Bridge Resistance:	350 $\Omega$	
Insulation Resistance:	$> 1000M\Omega$ @ 100vdc	
Operating Temperature Range:	-30 to +90°C	
Compensated Temperature Range:	-10 to +40°C	
Zero Temperature Coefficient:	$< \pm 0.002\%$ of Rated Load/°C	
Span Temperature Coefficient:	$< \pm 0.002\%$ of Rated Load/°C	
Environmental Protection Level:	IP68	
Connection Type:	PUR screened cable 5m long, via cable gland	
Wiring Connections:	Blue	+ve supply
	Green	+ve sense
	White	+ve signal
	Black	-ve supply
	Grey	-ve sense
	Red	-ve signal
Options Available	Can be supplied with instrumentation Spherical seating rod end bearings Compression load button	

## Mechanical Dimensions

All dimensions in millimeters



Part Number/Range	A	B	H	W	G	Thread T
STA-5-500	32	19	90	70	18	M12 x 1.75
STA-5-1000	32	19	90	70	18	M16 x 2
STA-5-2000	32	19	90	70	18	M16 x 2
STA-5-5000	45	26	120	100	18	M24 x 2

Due to continual product development, LCM Systems Ltd. reserves the right to alter product specifications without prior notice.

Issue Date: 24/9/2008

Unit 15, Newport Business Park  
Barry Way, Newport, Isle of Wight, PO30 5GY  
United Kingdom  
Tel: +44 (0) 1983 249264  
Fax: +44 (0) 1983 249266  
Email: sales@lcm systems.com

**LCM**  
SYSTEMS

www.lcm systems.com

TYPE: STA-5